

CARDEV Kleen-Skim T700-B Portable Trampoil Removal Unit

- Removes trampoil contamination
- Extends coolant life
- Reduces coolant costs – reduced consumption and reduced disposal volumes
- Increased machine tool efficiency / productivity
- Reduces bacterial growth
- Improved operator conditions - improved health and safety
- Minimal running costs
- One unit can service an entire workshop



Results

- Clean, trampoil-free coolant
- Increased coolant life – reduced coolant costs
- Reduced disposal costs
- Reduced machine downtime – clean coolant whilst the machine is in operation
- Improved operator conditions - reduced oil mist, reduced bacterial growth, coolant odour reduced

Features

- Stainless steel construction
- Portable
- Available in 110V, 230V and air operated options
- Reusable bag filter
- Minimal servicing required - no consumable parts
- Unattended operation
- Easy to use – minimal setup and no “levelling” required
- Universal application – works on any coolant sump

Coolant Samples



Before

After



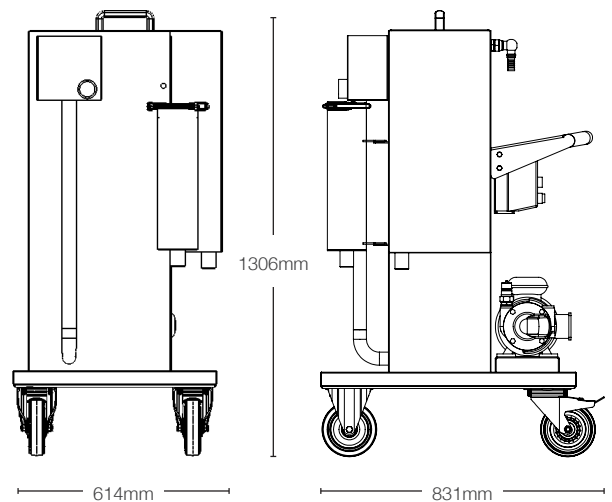
Large bag filter



Weir transfer - No levels to set



Clean coolant returned to sump



Type	Recommended Installation	Coolant flow rate (l/m)	Dimensions (mm)			Weight (kg)	Accessories
			H	W	D		
CARDEV Kleen-Skim T700-B	Portable unit designed to be moved around the workshop on a rotational basis. Quick release / magnet mounted pick-up can be temporarily installed or additional pick-ups can be permanently fixed for ease of use.	12 l/m	1306	614	831	105	Suction and return hoses. Drain hose. Magnet mounted floating pick-up assembly.

KLENOIL PANOLIN AG

Gewerbegebiet Schnöt 79804 Dogern Deutschland
 T. +49 7751 8383-0 F. +49 7751 8383-29 E. info@kleenoil.com
 www.kleenoilpanolin.com

Die oben genannte Spezifikation und das Foto sind lediglich als Referenz gedacht. Änderungen vorbehalten.
 © KLENOIL PANOLIN AG. Alle Rechte vorbehalten.

KLENOIL[®]
 Microfiltration